

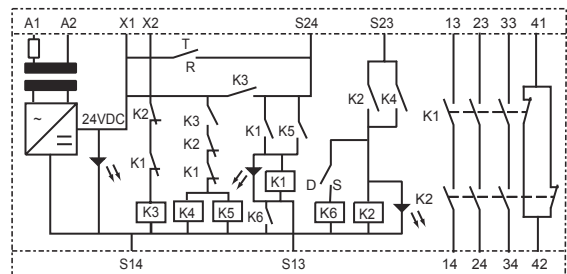
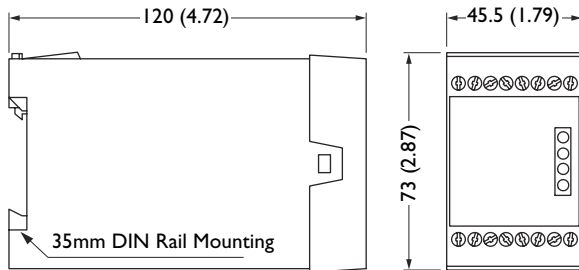
**Product Selection**

Inputs	Safety Outputs	Auxiliary Outputs	Power Supply	Catalogue Number
1 N.C. or 2 N.C.	3 N.O.	1 N.C.	24V AC/DC	<b>440R-C23017</b>
			110V AC	<b>440R-C23018</b>
			230V AC	<b>440R-C23019</b>

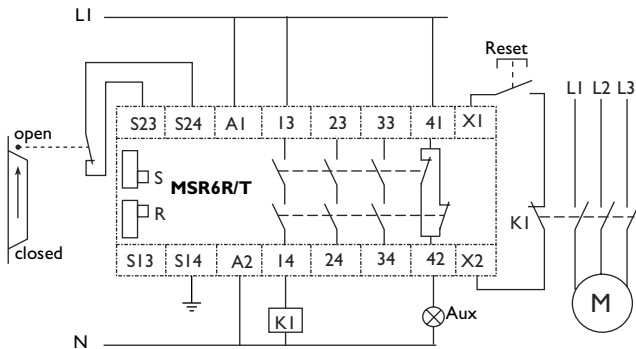
**Accessories**

Description	Page Number	Catalogue Number
500mA Fuse	14-6	<b>440R-A31562</b>

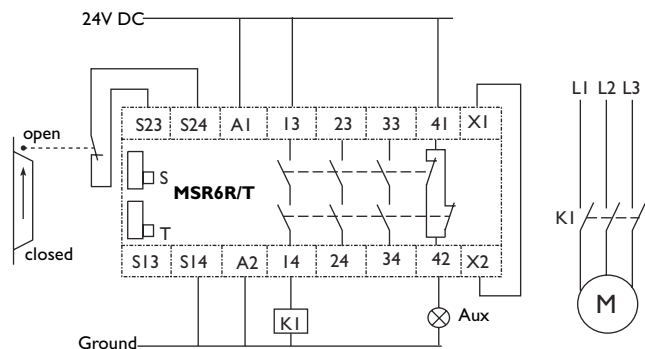
**Dimensions, mm (inches) Block Diagram**



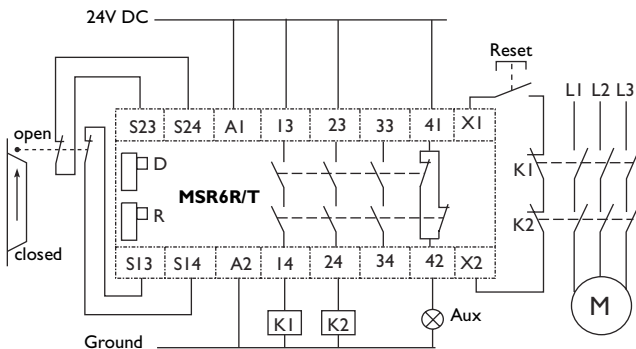
**Typical Wiring Diagrams**



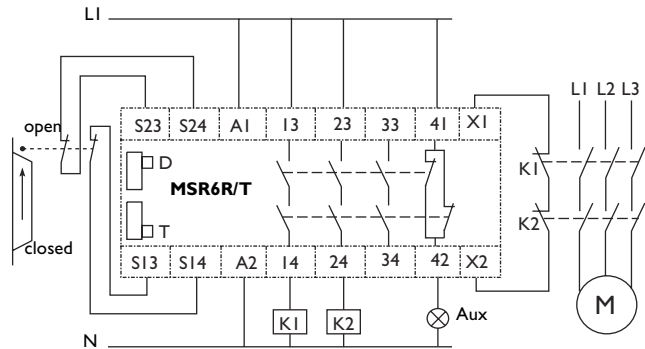
*Single-Channel Safety Gate, Monitored Manual Reset, Single-Channel Output, Monitored Output*



*Single-Channel Safety Gate, Automatic Reset, Single-Channel Output, No Monitored Output*



*Dual-Channel Safety Gate, Monitored Manual Reset, Dual-Channel Output, Monitored Output*



*Dual-Channel Safety Gate, Automatic Reset, Dual-Channel Output, Monitored Output*